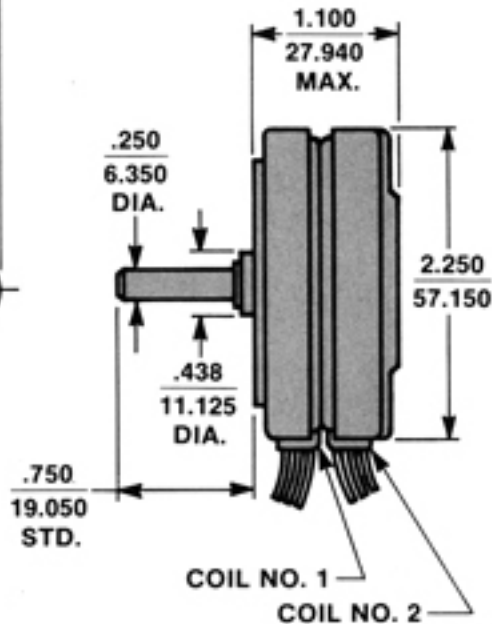
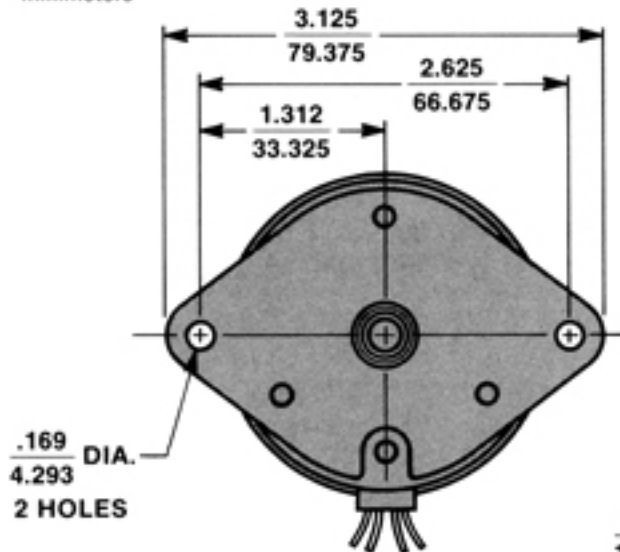


inches
millimeters



CONNECTION DIAGRAM

PHASING	Step	φ1	φ2	φ3	φ4
Sequence for	1	+			
C. W. Rotation	2		+		
Facing Mounting	3			+	
End	4				+

