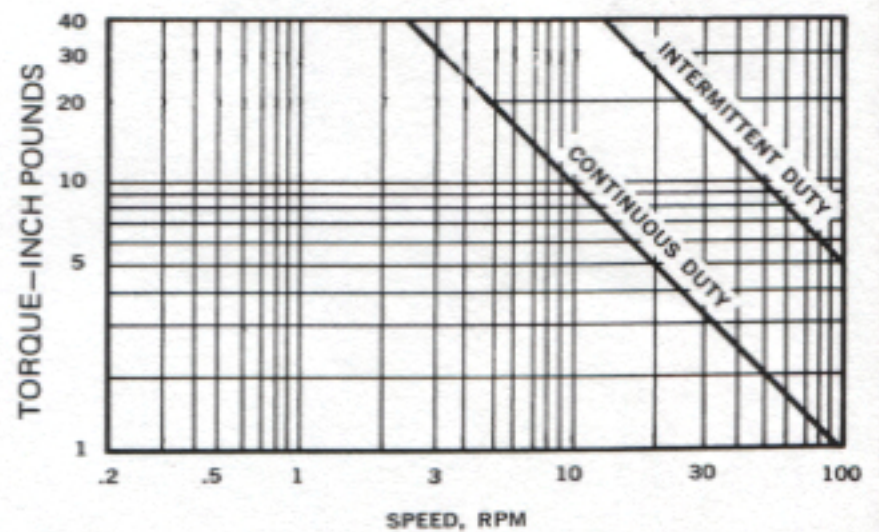
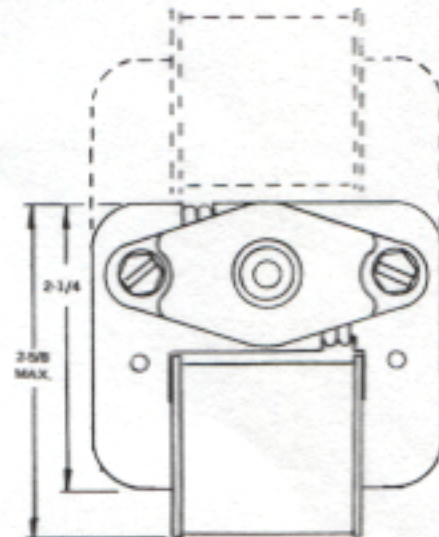
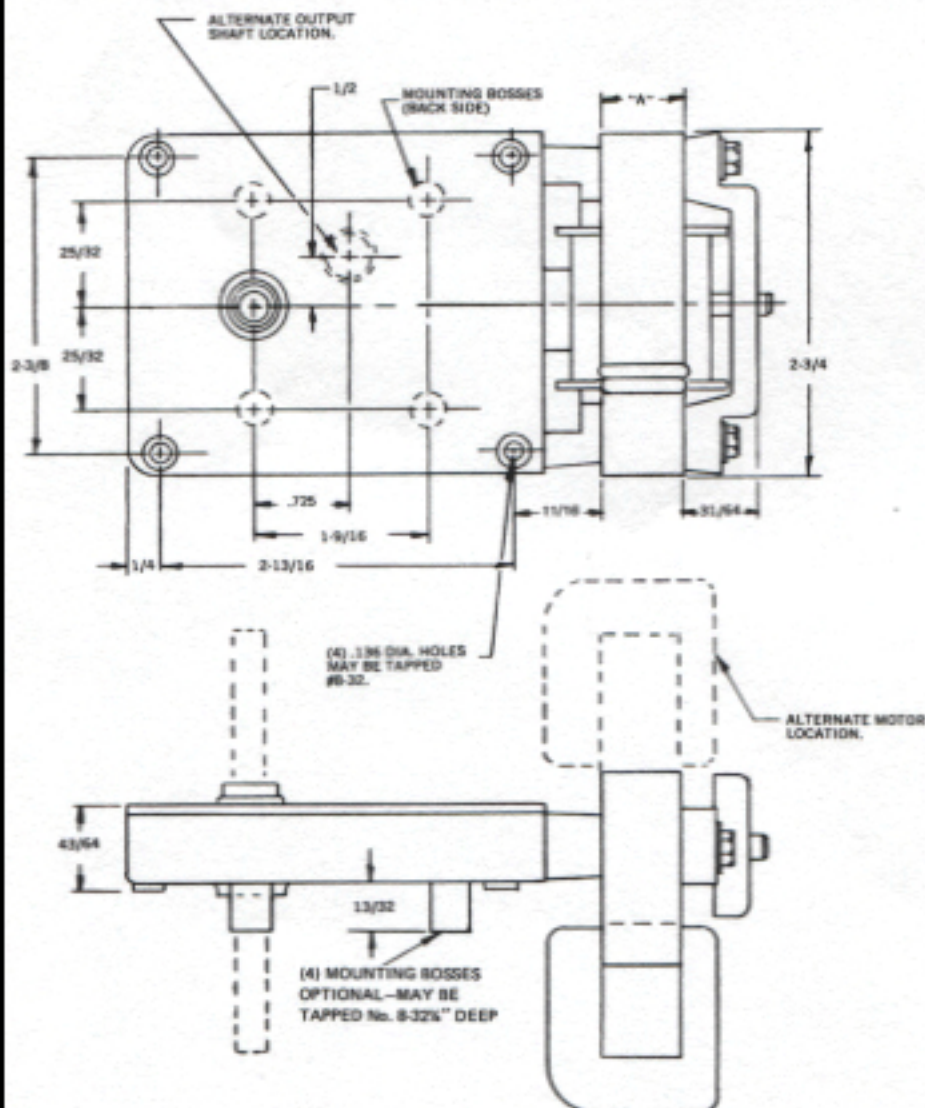


'A' DIM: STACK THICKNESS—1/4", 7/16", 5/8", 3/4", 1".
 OUTPUT SHAFT: 3/16", 1/4", 5/16" DIAMETER.
 Extended either or both sides of gear case. Length per application.



Note: Mounting hole tolerances are $\pm .015$.